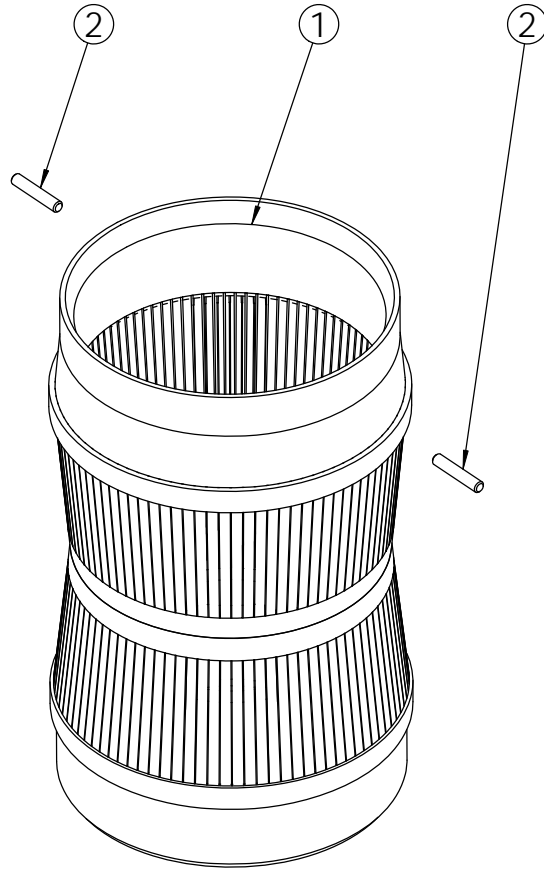


REVISIONS				
ECN	Rev.	Description	Date (dd/mm/yy)	Approved
F5209	B	REACTIVATED / REPLACE S/E 18405 (OBSOLETED)	22/06/10	CHT



REPLACE S/E 18405 (OBSOLETE)

ITEM	PN	Qty	DESCRIPTION
1	18395	1	TOP DISTRIBUTOR 2" ASSY 2850 / 2900
2	12044	2	PIN , TOP COLLECTOR



TOP DISTRIBUTOR 2" AND PINS ASSY 2850 / 2900

KIT 8